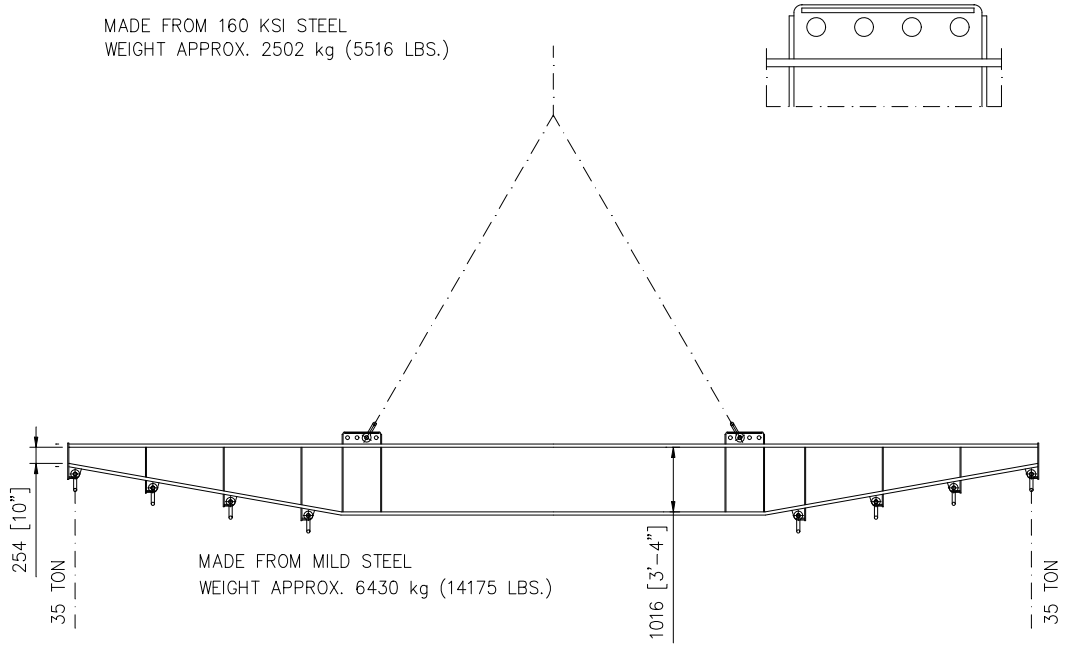


MADE FROM 160 KSI STEEL
 WEIGHT APPROX. 2502 kg (5516 LBS.)



MADE FROM MILD STEEL
 WEIGHT APPROX. 6430 kg (14175 LBS.)